

中建材浚鑫 GDHMBB

4.4GW

太阳能电池产能
Cell Capacity

2.4GW

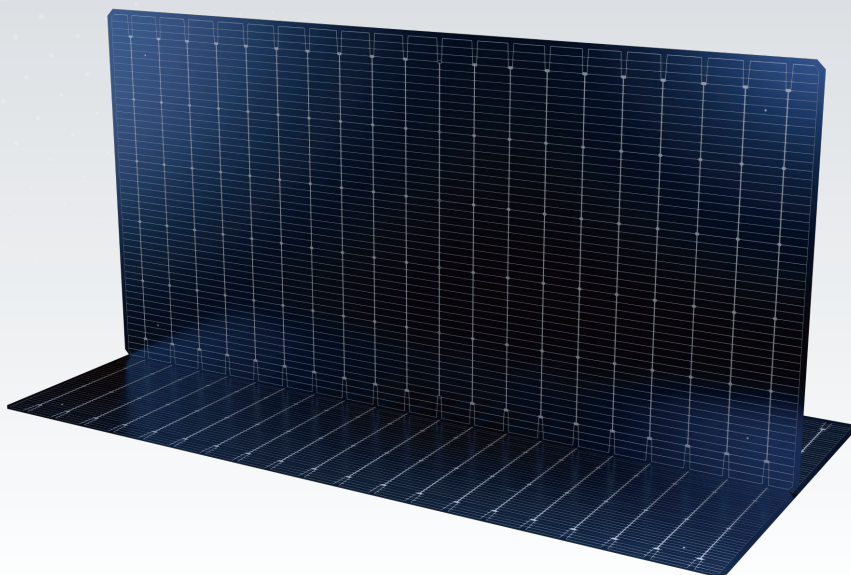
异质结电池产能
HJT Cell Capacity

210半片异质结太阳能电池 HJT Cell

最高效率
Maximum Efficiency

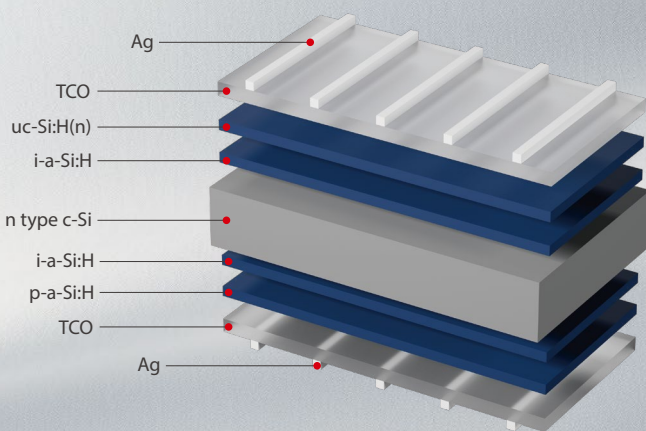
26.5%

- ◆ 20BB
- ◆ 微晶工艺
Microcrystalline process
- ◆ 高发电量
High power generation



ISO 9001: Quality Management System
ISO 14001: Environment Management System
ISO 45001: Occupational Health and Safety

Bloomberg
New Energy Finance **Tier 1**



低光致衰减 Low LID



高双面率
High bifaciality 85±10%



超低温系数
-0.26%/°C low temperature coefficient



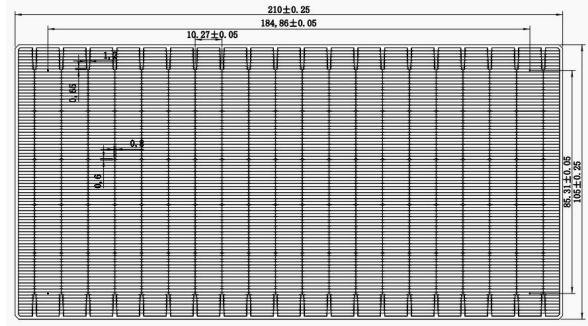
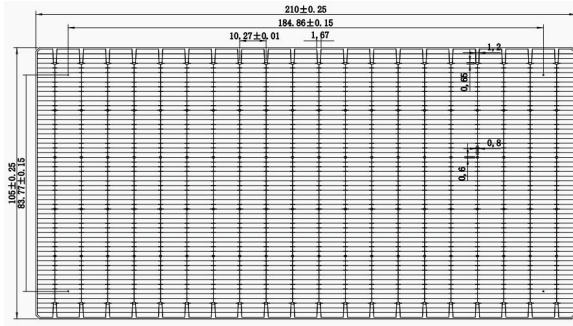
优异的弱光效应
Excellent low-light performance

中建材浚鑫-作为世界500强中国建材集团新能源板块重点企业，始终致力于为全球客户提供可靠的光伏产品、高效的EPC总包及稳健的融资服务。截止目前，中建材浚鑫在全球设有5家智能制造工厂，拥有太阳能组件产能2.5GW，太阳能电池产能4.4GW，其中2.4GW高效异质结电池，以及2.6GW异质结电池产能规划。

As a member of CNBM - a Fortune 500 company, Jetion Solar provides various product solutions, global EPC service and financing. Till now, Jetion Solar has an annual production capacity of 4.4 GW of cells, 2.5 GW of modules with 5 manufacturing plants worldwide. Furthermore, there are plans for an additional 2.6 GW of HJT cells.



技术图 Dimension



产品特点 Product Characteristics

尺寸 / Dimension	210mm×105mm±0.35 mm	基材材料 / Matrix material	N-c-Si
厚度 / Thickness	114±14 μm	开路电压 / Voc	-0.27%/K
重量 / Weight	5.2 g	短路电流 / Isc	0.055%/K
正面 / Front Cover	20×0.04mm main busbar, 58 sub-busbar, TCO	最大功率 / Pmax	-0.26%/K
背面 / Back Cover	20×0.04mm main busbar, 90 sub-busbar, TCO	Rsh ≥ 50Ω, Irev2 ≤1A	

电性能参数 Electric Characteristics

Class	Efficiency	Pmpp(W)	Umpp(V)	Impp(A)	Uoc(V)	Isc(A)
26.2	26.20%	5.78	0.685	8.438	0.7539	8.858
26.1	26.10%	5.75	0.685	8.394	0.7537	8.855
26.0	26.00%	5.73	0.685	8.365	0.7534	8.842
25.9	25.90%	5.71	0.684	8.348	0.7530	8.839
25.8	25.80%	5.69	0.684	8.319	0.7528	8.828
25.7	25.70%	5.67	0.684	8.289	0.7525	8.819
25.6	25.60%	5.64	0.683	8.258	0.7523	8.793
25.5	25.50%	5.62	0.683	8.228	0.7521	8.783
25.4	25.40%	5.60	0.682	8.211	0.7520	8.772
25.3	25.30%	5.58	0.682	8.182	0.7516	8.764
25.2	25.20%	5.56	0.682	8.152	0.7513	8.755
25.1	25.10%	5.53	0.681	8.120	0.7511	8.729
25.0	25.00%	5.51	0.681	8.091	0.7507	8.721
24.9	24.90%	5.49	0.681	8.062	0.7502	8.714
24.8	24.80%	5.47	0.680	8.044	0.7487	8.710
24.7	24.70%	5.45	0.680	8.015	0.7483	8.700
24.6	24.60%	5.43	0.679	7.997	0.7472	8.689

测试标准 (STC:1000W/ m², AM 1.5, 25°C)

*以上参数受限于技术变更及测试, 中建材浚鑫科技有限公司保留最终解释权。
Specifications subject to technical changes and tests, JETION Solar reserves the right of final interpretation.

中建材浚鑫科技有限公司
Jetion Solar (China) Co., Ltd.

中国江苏省江阴市镇澄路1011号
1011 Zhencheng Road, Jiangyin,
Jiangsu Province, P.R. China 214443

400-805-8057
marketing@jetion.com.cn
www.jetionsolar.com

